

SECTION **RF**
ROOF

A
B
C

CONTENTS

D
E

PRECAUTIONS	2	RETAINED POWER OPERATION	10	F
Precautions for Supplemental Restraint System (SRS) "AIR BAG" and "SEAT BELT PRE-TENSIONER"	2	INITIALIZATION PROCEDURE	11	
Precautions for Battery Service	2	INTERRUPTION DETECTION FUNCTION	11	
Precautions	2	CAN Communication System Description	12	G
PREPARATION	3	CAN Communication Unit	12	
Special Service Tools	3	Wiring Diagram — SROOF —	13	
Commercial Service Tools	3	Terminals and Reference Value for BCM	15	H
SQUEAK AND RATTLE TROUBLE DIAGNOSES	4	Terminals and Reference Value for Sunroof Motor Assembly	15	
Work Flow	4	Work Flow	16	RF
CUSTOMER INTERVIEW	4	CONSULT-II Function (BCM)	16	
DUPLICATE THE NOISE AND TEST DRIVE	5	"RETAINED PWR"	16	
CHECK RELATED SERVICE BULLETINS	5	DATA MONITOR	17	J
LOCATE THE NOISE AND IDENTIFY THE ROOT CAUSE	5	ACTIVE TEST	17	
REPAIR THE CAUSE	5	WORK SUPPORT	17	
CONFIRM THE REPAIR	6	Trouble Diagnosis Chart by Symptom	18	
Generic Squeak and Rattle Troubleshooting	6	BCM Power Supply and Ground Circuit Check	18	K
INSTRUMENT PANEL	6	Sunroof Motor Assembly Power Supply and Ground Circuit Check	19	
CENTER CONSOLE	6	Sunroof Switch System Check	20	L
DOORS	6	Door Switch Check	22	
TRUNK	7	Wind Deflector Inspection	24	
SUNROOF/HEADLINING	7	Link and Wire Assembly	24	M
SEATS	7	Fitting Adjustment	24	
UNDERHOOD	7	GAP ADJUSTMENT AND HEIGHT DIFFERENCE ADJUSTMENT	25	
Diagnostic Worksheet	8	Removal and Installation	25	
SUNROOF	10	SUNROOF UNIT ASSEMBLY	27	
Component Parts and Harness Connector Location	10	GLASS LID	28	
System Description	10	SUNSHADE	29	
OUTLINE	10	WIND DEFLECTOR	29	
OPERATION	10	SUNROOF MOTOR ASSEMBLY	30	
AUTO OPERATION	10			

PRECAUTIONS

PRECAUTIONS

PFP:00001

Precautions for Supplemental Restraint System (SRS) “AIR BAG” and “SEAT BELT PRE-TENSIONER”

AIS002MM

The Supplemental Restraint System such as “AIR BAG” and “SEAT BELT PRE-TENSIONER”, used along with a front seat belt, helps to reduce the risk or severity of injury to the driver and front passenger for certain types of collision. This system includes seat belt switch inputs and dual stage front air bag modules. The SRS system uses the seat belt switches to determine the front air bag deployment, and may only deploy one front air bag, depending on the severity of a collision and whether the front occupants are belted or unbelted. Information necessary to service the system safely is included in the SRS and SB section of this Service Manual.

WARNING:

- To avoid rendering the SRS inoperative, which could increase the risk of personal injury or death in the event of a collision which would result in air bag inflation, all maintenance must be performed by an authorized NISSAN/INFINITI dealer.
- Improper maintenance, including incorrect removal and installation of the SRS, can lead to personal injury caused by unintentional activation of the system. For removal of Spiral Cable and Air Bag Module, see the SRS section.
- Do not use electrical test equipment on any circuit related to the SRS unless instructed to in this Service Manual. SRS wiring harnesses can be identified by yellow and/or orange harnesses or harness connectors.

Precautions for Battery Service

AIS004YT

Before disconnecting the battery, lower both the driver and passenger windows. This will prevent any interference between the window edge and the vehicle when the door is opened/closed. During normal operation, the window slightly raises and lowers automatically to prevent any window to vehicle interference. The automatic window function will not work with the battery disconnected.

Precautions

AIS002MN

- Disconnect both battery cables in advance.
- Do not tamper with or force air bag lid open, as this may adversely affect air bag performance.
- Be careful not to scratch pad and other parts.
- When removing or disassembling any part, be careful not to damage or deform it. Protect parts, which may get in the way with cloth.
- When removing parts with a screwdriver or other tool, protect parts by wrapping them with vinyl or tape.
- Keep removed parts protected with cloth.
- If a clip is deformed or damaged, replace it.
- If an un reusable part is removed, replace it with a new one.
- Tighten bolts and nuts firmly to the specified torque.
- After re-assembly has been completed, make sure each part functions correctly.
- Remove stains in the following way.

Water-soluble stains:

Dip a soft cloth in warm water, and then squeeze it tightly. After wiping the stain, wipe with a soft dry cloth.

Oil stain:

Dissolve a synthetic detergent in warm water (density of 2 to 3% or less), dip the cloth, then clean off the stain with the cloth. Next, dip the cloth in fresh water and squeeze it tightly. Then clean off the detergent completely. Then wipe the area with a soft dry cloth.

- Do not use any organic solvent, such as thinner or benzene.

PREPARATION

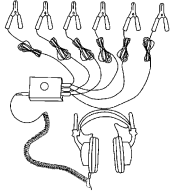
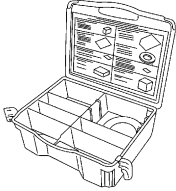
PREPARATION

PFP:00002

Special Service Tools

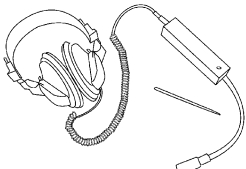
AIS001AC

The actual shapes of Kent-Moore tools may differ from those of special service tools illustrated here.

Tool number (Kent-Moore No.) Tool name	Description
(J39570) Chassis ear  <p style="text-align: right; margin-right: 20px;">SIIA0993E</p>	Locating the noise
(J43980) NISSAN Squeak and Rattle Kit  <p style="text-align: right; margin-right: 20px;">SIIA0994E</p>	Repairing the cause of noise

Commercial Service Tools

AIS001AD

Tool name	Description
(J39565) Engine ear  <p style="text-align: right; margin-right: 20px;">SIIA0995E</p>	Locating the noise

A
B
C
D
E
F
G
H
RF
J
K
L
M

RF

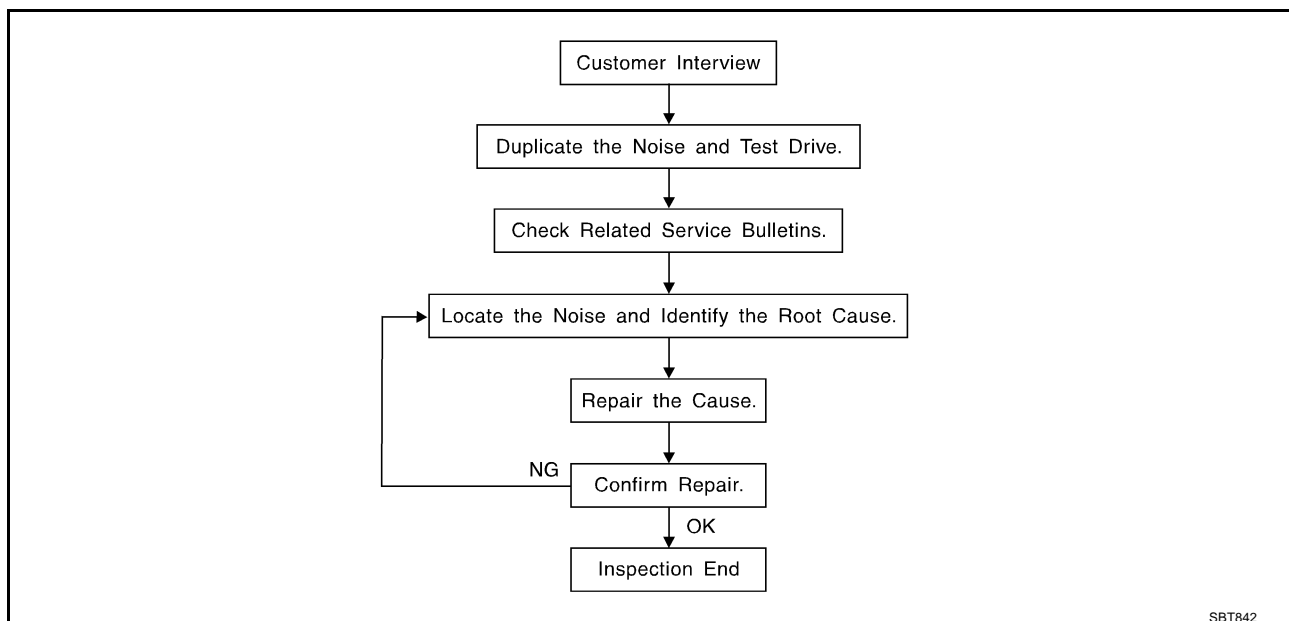
SQUEAK AND RATTLE TROUBLE DIAGNOSES

SQUEAK AND RATTLE TROUBLE DIAGNOSES

PFP:00000

Work Flow

AIS001AE



CUSTOMER INTERVIEW

Interview the customer if possible, to determine the conditions that exist when the noise occurs. Use the Diagnostic Worksheet during the interview to document the facts and conditions when the noise occurs and any customer's comments; refer [RF-8, "Diagnostic Worksheet"](#). This information is necessary to duplicate the conditions that exist when the noise occurs.

- The customer may not be able to provide a detailed description or the location of the noise. Attempt to obtain all the facts and conditions that exist when the noise occurs (or does not occur).
- If there is more than one noise in the vehicle, be sure to diagnose and repair the noise that the customer is concerned about. This can be accomplished by test driving the vehicle with the customer.
- After identifying the type of noise, isolate the noise in terms of its characteristics. The noise characteristics are provided so the customer, service adviser and technician are all speaking the same language when defining the noise.
- Squeak —(Like tennis shoes on a clean floor)
Squeak characteristics include the light contact/fast movement/brought on by road conditions/hard surfaces=higher pitch noise/softer surfaces=lower pitch noises/edge to surface=chirping
- Creak—(Like walking on an old wooden floor)
Creak characteristics include firm contact/slow movement/twisting with a rotational movement/pitch dependent on materials/often brought on by activity.
- Rattle—(Like shaking a baby rattle)
Rattle characteristics include the fast repeated contact/vibration or similar movement/loose parts/missing clip or fastener/incorrect clearance.
- Knock —(Like a knock on a door)
Knock characteristics include hollow sounding/sometimes repeating/often brought on by driver action.
- Tick—(Like a clock second hand)
Tick characteristics include gentle contacting of light materials/loose components/can be caused by driver action or road conditions.
- Thump—(Heavy, muffled knock noise)
Thump characteristics include softer knock/dead sound often brought on by activity.
- Buzz—(Like a bumble bee)
Buzz characteristics include high frequency rattle/firm contact.
- Often the degree of acceptable noise level will vary depending upon the person. A noise that you may judge as acceptable may be very irritating to the customer.
- Weather conditions, especially humidity and temperature, may have a great effect on noise level.

SQUEAK AND RATTLE TROUBLE DIAGNOSES

DUPLICATE THE NOISE AND TEST DRIVE

If possible, drive the vehicle with the customer until the noise is duplicated. Note any additional information on the Diagnostic Worksheet regarding the conditions or location of the noise. This information can be used to duplicate the same conditions when you confirm the repair.

If the noise can be duplicated easily during the test drive, to help identify the source of the noise, try to duplicate the noise with the vehicle stopped by doing one or all of the following:

- 1) Close a door.
 - 2) Tap or push/pull around the area where the noise appears to be coming from.
 - 3) Rev the engine.
 - 4) Use a floor jack to recreate vehicle "twist".
 - 5) At idle, apply engine load (electrical load, half-clutch on M/T model, drive position on A/T model).
 - 6) Raise the vehicle on a hoist and hit a tire with a rubber hammer.
- Drive the vehicle and attempt to duplicate the conditions the customer states exist when the noise occurs.
 - If it is difficult to duplicate the noise, drive the vehicle slowly on an undulating or rough road to stress the vehicle body.

CHECK RELATED SERVICE BULLETINS

After verifying the customer concern or symptom, check ASIST for Technical Service Bulletins (TSBs) related to that concern or symptom.

If a TSB relates to the symptom, follow the procedure to repair the noise.

LOCATE THE NOISE AND IDENTIFY THE ROOT CAUSE

1. Narrow down the noise to a general area. To help pinpoint the source of the noise, use a listening tool (Chassis Ear: J39570, Engine Ear and mechanics stethoscope).
2. Narrow down the noise to a more specific area and identify the cause of the noise by:
 - removing the components in the area that you suspect the noise is coming from.
Do not use too much force when removing clips and fasteners, otherwise clips and fastener can be broken or lost during the repair, resulting in the creation of new noise.
 - tapping or pushing/pulling the component that you suspect is causing the noise.
Do not tap or push/pull the component with excessive force, otherwise the noise will be eliminated only temporarily.
 - feeling for a vibration with your hand by touching the component(s) that you suspect is (are) causing the noise.
 - placing a piece of paper between components that you suspect are causing the noise.
 - looking for loose components and contact marks.
Refer to [RF-6, "Generic Squeak and Rattle Troubleshooting"](#).

REPAIR THE CAUSE

- If the cause is a loose component, tighten the component securely.
- If the cause is insufficient clearance between components:
 - separate components by repositioning or loosening and retightening the component, if possible.
 - insulate components with a suitable insulator such as urethane pads, foam blocks, felt cloth tape or urethane tape. A Nissan Squeak and Rattle Kit (J43980) is available through your authorized Nissan Parts Department.

CAUTION:

Do not use excessive force as many components are constructed of plastic and may be damaged.

Always check with the Parts Department for the latest parts information.

The following materials are contained in the Nissan Squeak and Rattle Kit (J43980). Each item can be ordered separately as needed.

URETHANE PADS [1.5 mm (0.059 in) thick]

Insulates connectors, harness, etc.

76268-9E005: 100 × 135 mm (3.94 × 5.31 in)/76884-71L01: 60 × 85 mm (2.36 × 3.35 in)/76884-71L02: 15 × 25 mm (0.59 × 0.98 in)

INSULATOR (Foam blocks)

Insulates components from contact. Can be used to fill space behind a panel.

73982-9E000: 45 mm (1.77 in) thick, 50 × 50 mm (1.97 × 1.97 in)/73982-50Y00: 10 mm (0.39 in) thick, 50 × 50 mm (1.97 × 1.97 in)

SQUEAK AND RATTLE TROUBLE DIAGNOSES

INSULATOR (Light foam block)

80845-71L00: 30 mm (1.18 in) thick, 30 × 50 mm (1.18 × 1.97 in)

FELT CLOTHTAPE

Used to insulate where movement does not occur. Ideal for instrument panel applications.

68370-4B000: 15 × 25 mm (0.59 × 0.98 in) pad/68239-13E00: 5 mm (0.20 in) wide tape roll

The following materials, not found in the kit, can also be used to repair squeaks and rattles.

UHMW(TEFLON) TAPE

Insulates where slight movement is present. Ideal for instrument panel applications.

SILICONE GREASE

Used in place of UHMW tape that will be visible or not fit.

Note: Will only last a few months.

SILICONE SPRAY

Use when grease cannot be applied.

DUCT TAPE

Use to eliminate movement.

CONFIRM THE REPAIR

Confirm that the cause of a noise is repaired by test driving the vehicle. Operate the vehicle under the same conditions as when the noise originally occurred. Refer to the notes on the Diagnostic Worksheet.

Generic Squeak and Rattle Troubleshooting

AIS001AF

Refer to Table of Contents for specific component removal and installation information.

INSTRUMENT PANEL

Most incidents are caused by contact and movement between:

1. The cluster lid A and instrument panel
2. Acrylic lens and combination meter housing
3. Instrument panel to front pillar garnish
4. Instrument panel to windshield
5. Instrument panel mounting pins
6. Wiring harnesses behind the combination meter
7. A/C defroster duct and duct joint

These incidents can usually be located by tapping or moving the components to duplicate the noise or by pressing on the components while driving to stop the noise. Most of these incidents can be repaired by applying felt cloth tape or silicon spray (in hard to reach areas). Urethane pads can be used to insulate wiring harness.

CAUTION:

Do not use silicone spray to isolate a squeak or rattle. If you saturate the area with silicone, you will not be able to recheck the repair.

CENTER CONSOLE

Components to pay attention to include:

1. Shifter assembly cover to finisher
2. A/C control unit and cluster lid C
3. Wiring harnesses behind audio and A/C control unit

The instrument panel repair and isolation procedures also apply to the center console.

DOORS

Pay attention to the:

1. Finisher and inner panel making a slapping noise
2. Inside handle escutcheon to door finisher
3. Wiring harnesses tapping
4. Door striker out of alignment causing a popping noise on starts and stops

Tapping or moving the components or pressing on them while driving to duplicate the conditions can isolate many of these incidents. You can usually insulate the areas with felt cloth tape or insulator foam blocks from the Nissan Squeak and Rattle Kit (J43980) to repair the noise.

SQUEAK AND RATTLE TROUBLE DIAGNOSES

TRUNK

Trunk noises are often caused by a loose jack or loose items put into the trunk by the owner. In addition look for:

1. Trunk lid dumpers out of adjustment
2. Trunk lid striker out of adjustment
3. The trunk lid torsion bars knocking together
4. A loose license plate or bracket

Most of these incidents can be repaired by adjusting, securing or insulating the item(s) or component(s) causing the noise.

SUNROOF/HEADLINING

Noises in the sunroof/headlining area can often be traced to one of the following:

1. Sunroof lid, rail, linkage or seals making a rattle or light knocking noise
2. Sunvisor shaft shaking in the holder
3. Front or rear windshield touching headlining and squeaking

Again, pressing on the components to stop the noise while duplicating the conditions can isolate most of these incidents. Repairs usually consist of insulating with felt cloth tape.

SEATS

When isolating seat noise it's important to note the position the seat is in and the load placed on the seat when the noise is present. These conditions should be duplicated when verifying and isolating the cause of the noise.

Cause of seat noise include:

1. Headrest rods and holder
2. A squeak between the seat pad cushion and frame
3. The rear seatback lock and bracket

These noises can be isolated by moving or pressing on the suspected components while duplicating the conditions under which the noise occurs. Most of these incidents can be repaired by repositioning the component or applying urethane tape to the contact area.

UNDERHOOD

Some interior noises may be caused by components under the hood or on the engine wall. The noise is then transmitted into the passenger compartment.

Causes of transmitted underhood noise include:

1. Any component mounted to the engine wall
2. Components that pass through the engine wall
3. Engine wall mounts and connectors
4. Loose radiator mounting pins
5. Hood bumpers out of adjustment
6. Hood striker out of adjustment

These noises can be difficult to isolate since they cannot be reached from the interior of the vehicle. The best method is to secure, move or insulate one component at a time and test drive the vehicle. Also, engine RPM or load can be changed to isolate the noise. Repairs can usually be made by moving, adjusting, securing, or insulating the component causing the noise.

A

B

C

D

E

F

G

H

RF

J

K

L

M

SQUEAK AND RATTLE TROUBLE DIAGNOSES

Diagnostic Worksheet

AI5001AG



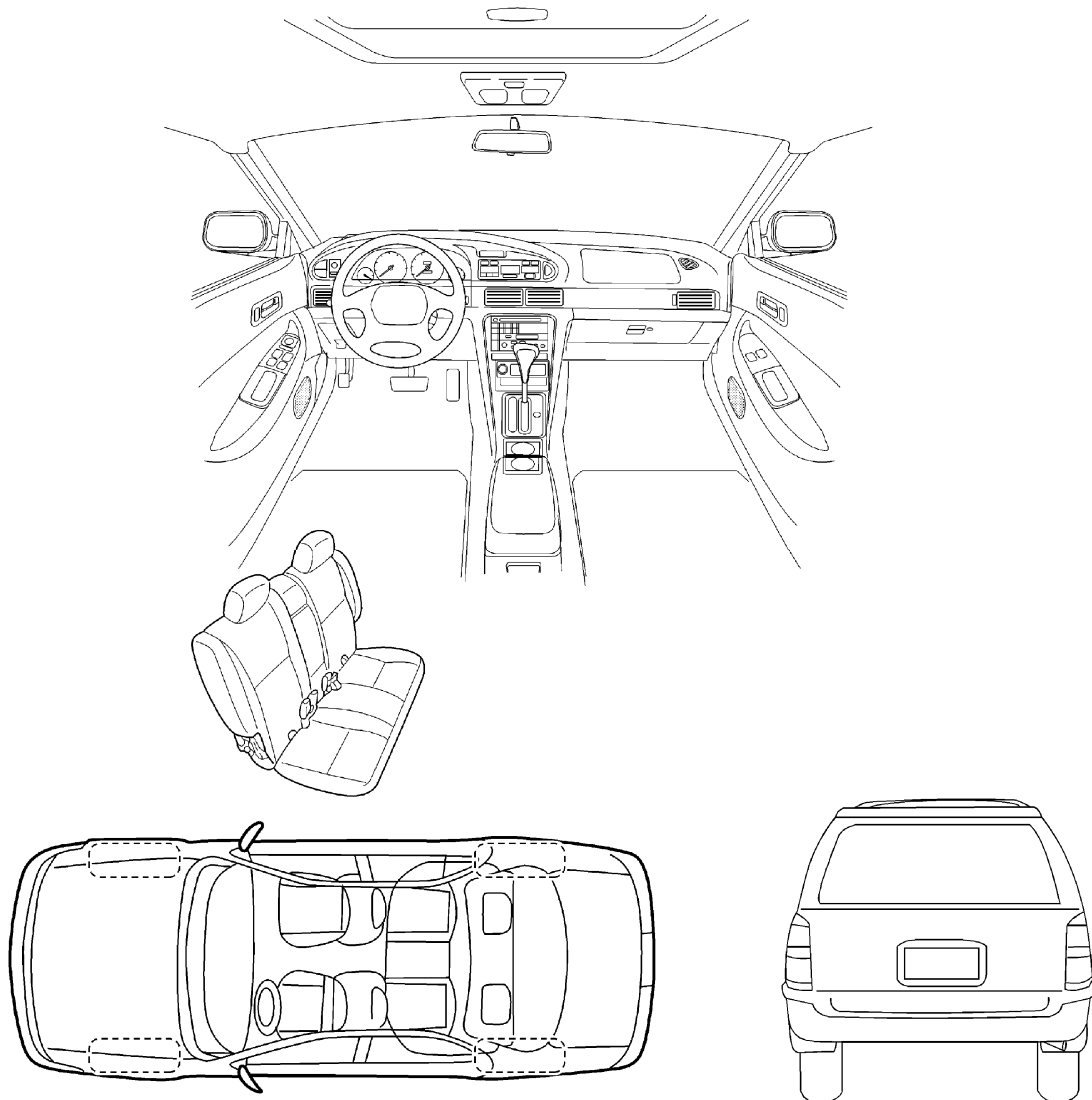
SQUEAK & RATTLE DIAGNOSTIC WORKSHEET

Dear Infiniti Customer:

We are concerned about your satisfaction with your Infiniti vehicle. Repairing a squeak or rattle sometimes can be very difficult. To help us fix your Infiniti right the first time, please take a moment to note the area of the vehicle where the squeak or rattle occurs and under what conditions. You may be asked to take a test drive with a service advisor or technician to ensure we confirm the noise you are hearing.

I. WHERE DOES THE NOISE COME FROM? (circle the area of the vehicle)

The illustrations are for reference only, and may not reflect the actual configuration of your vehicle.



Continue to the back of the worksheet and briefly describe the location of the noise or rattle. In addition, please indicate the conditions which are present when the noise occurs.

SBT860

SQUEAK AND RATTLE TROUBLE DIAGNOSES

SQUEAK & RATTLE DIAGNOSTIC WORKSHEET- page 2

Briefly describe the location where the noise occurs:

II. WHEN DOES IT OCCUR? (check the boxes that apply)

- | | |
|--|---|
| <input type="checkbox"/> anytime | <input type="checkbox"/> after sitting out in the sun |
| <input type="checkbox"/> 1 st time in the morning | <input type="checkbox"/> when it is raining or wet |
| <input type="checkbox"/> only when it is cold outside | <input type="checkbox"/> dry or dusty conditions |
| <input type="checkbox"/> only when it is hot outside | <input type="checkbox"/> other: _____ |

III. WHEN DRIVING:

- through driveways
- over rough roads
- over speed bumps
- only at about ____ mph
- on acceleration
- coming to a stop
- on turns : left, right or either (circle)
- with passengers or cargo
- other: _____
- after driving ____ miles or ____ minutes

IV. WHAT TYPE OF NOISE?

- squeak (like tennis shoes on a clean floor)
- creak (like walking on an old wooden floor)
- rattle (like shaking a baby rattle)
- knock (like a knock on a door)
- tick (like a clock second hand)
- thump (heavy, muffled knock noise)
- buzz (like a bumble bee)

TO BE COMPLETED BY DEALERSHIP PERSONNEL

Test Drive Notes:

	YES	NO	Initials of person performing
Vehicle test driven with customer	<input type="checkbox"/>	<input type="checkbox"/>	_____
- Noise verified on test drive	<input type="checkbox"/>	<input type="checkbox"/>	_____
- Noise source located and repaired	<input type="checkbox"/>	<input type="checkbox"/>	_____
- Follow up test drive performed to confirm repair	<input type="checkbox"/>	<input type="checkbox"/>	_____

VIN: _____ Customer Name: _____

W.O. #: _____ Date: _____

This form must be attached to Work Order

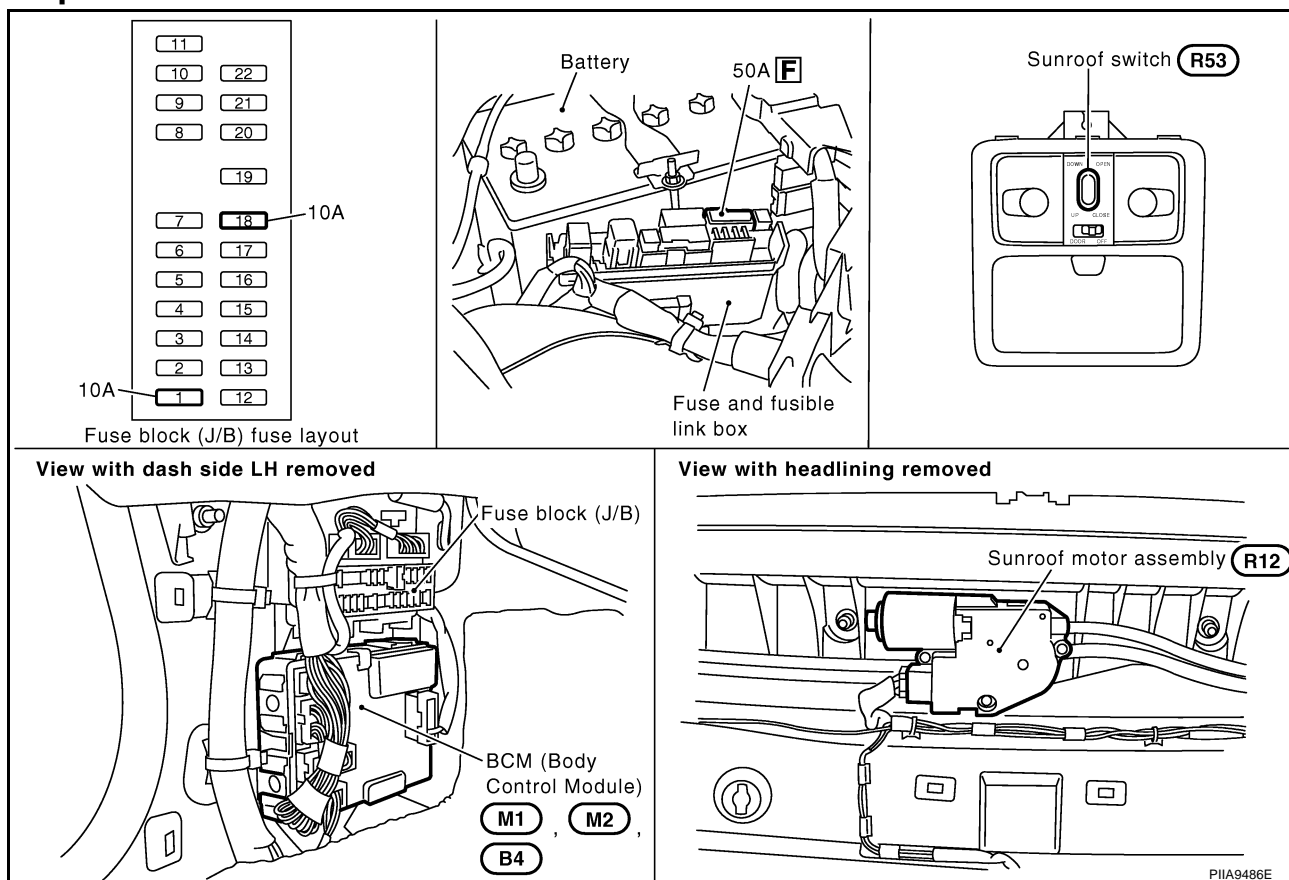
SBT844

SUNROOF

PFP:91210

Component Parts and Harness Connector Location

AIS001AH



System Description OUTLINE

AIS001AI

Electric sunroof system consists of

- Sunroof switch
- Sunroof motor assembly
- BCM (Body Control Module)

BCM supplies power to the sunroof motor. Sunroof operation depends on sunroof switch condition.

OPERATION

Sunroof can be opened or closed and tilted up or down with sunroof switch.

AUTO OPERATION

The power sunroof AUTO feature makes it possible to open and close the sunroof without holding the sunroof switch in the down or up position.

RETAINED POWER OPERATION

When the ignition switch is turned to OFF position from ON or START position, power is supplied for 45 seconds

- to sunroof motor assembly terminal 9
- from BCM terminal 53.

When power is supplied, the sunroof can be operated.

The retained power operation is canceled when the driver or passenger side door is opened.

RAP signal period can be changed by CONSULT-II. Refer to [RF-16, "CONSULT-II Function \(BCM\)"](#).

SUNROOF

INITIALIZATION PROCEDURE

If the sunroof does not close or open automatically, use the following procedure to return sunroof operation to normal.

1. Close the sunroof if it is not in the closed position. It may be necessary to repeatedly push the switch to close the sunroof.
2. Press and hold the TILT UP switch. Do not release the switch, keep pressure on it. After 10 seconds of depressing, the sunroof will tilt up, then tilt down. Release the button.
3. Press and hold the TILT UP switch again. Do not release the switch, keep pressure on it. While depressing the switch, the sunroof will "Slide open" "Slide close" "Tilt up" "Tilt down". Release the button after the sunroof "Tilts down" and stops.
4. Initializing procedure is complete. Confirm proper operation of the sunroof (slide open, slide close, tilt up, tilt down.)

INTERRUPTION DETECTION FUNCTION

The CPU of sunroof motor monitors the sunroof motor operation and the sunroof position (fully-closed or other) by the signals from sunroof motor.

When sunroof motor detects an interruption during the following sliding close operation, sunroof switch controls the motor for open and the sunroof will operate until full open position.

- automatic close operation when ignition switch is in the ON position
- automatic close operation during retained power operation

A

B

C

D

E

F

G

H

RF

J

K

L

M

CAN Communication System Description

AIS00207

CAN (Controller Area Network) is a serial communication line for real time application. It is an on-vehicle multiplex communication line with high data communication speed and excellent error detection ability. Many electronic control units are equipped onto a vehicle, and each control unit shares information and links with other control units during operation (not independent). In CAN communication, control units are connected with 2 communication lines (CAN H line, CAN L line) allowing a high rate of information transmission with less wiring. Each control unit transmits/receives data but selectively reads required data only.

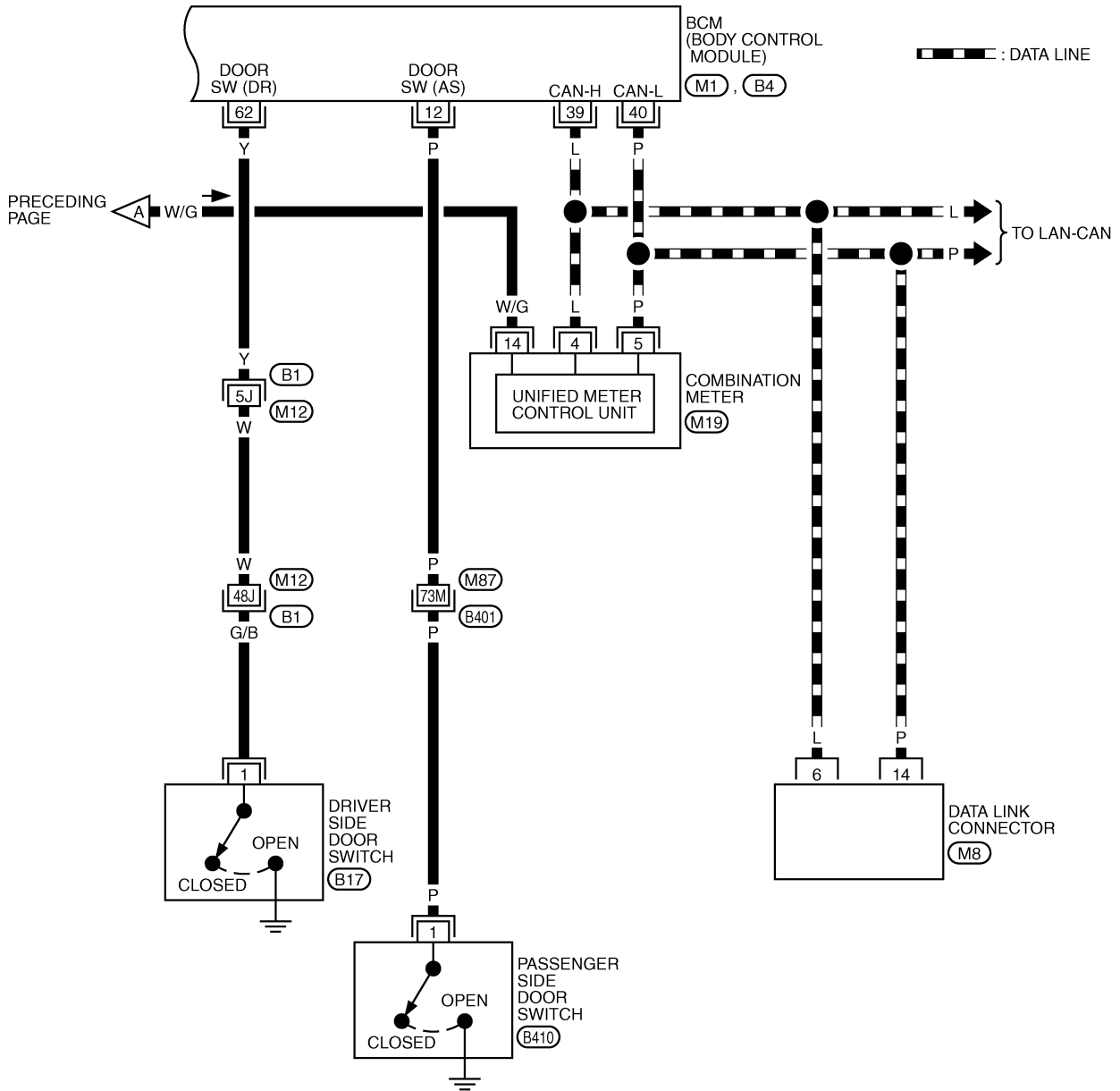
CAN Communication Unit

AIS00208

Refer to [LAN-4, "CAN Communication Unit"](#) .

SUNROOF

RF-SROOF-02



16	15	14	13	12	11	10	9
8	7	6	5	4	3	2	1

(M8)
W

20	19	18	17	16	15	14	13	12	11	10	9	8	7	6	5	4	3	2	1
40	39	38	37	36	35	34	33	32	31	30	29	28	27	26	25	24	23	22	21

(M19)
W

1
2
3

(B17) (B410)
W W

REFER TO THE FOLLOWING.

(B1) , (B401) -SUPER MULTIPLE JUNCTION (SMJ)

(M1) , (B4) -ELECTRICAL UNITS

TIWM1014E

SUNROOF

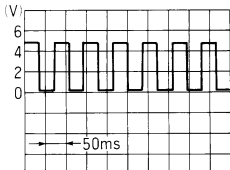
Terminals and Reference Value for BCM

AIS001AK

TERMI-NAL	WIRE COLOR	ITEM	CONDITION	VOLTAGE(V) (Approx.)
12	P	Passenger side door switch	OPEN (ON)	0
			CLOSE (OFF)	5
38	W/L	Ignition switch ON or START	Ignition switch (ON or START position)	Battery voltage
39	L	CAN-H	—	—
40	P	CAN-L	—	—
42	GY	BAT power supply	—	Battery voltage
52	B	Ground	—	0
53	Y/B	RAP signal	Ignition switch ON	Battery voltage
			Within 45 second after ignition switch is turned to OFF position	Battery voltage
			When driver side or passenger side door is open in power window timer operates	0
54	W	Power window power supply	—	Battery voltage
55	W/R	BAT power supply	—	Battery voltage
62	Y	Driver side door switch	OPEN (ON)	0
			CLOSE (OFF)	5

Terminals and Reference Value for Sunroof Motor Assembly

AIS001AL

TERMI-NAL	WIRE COLOR	ITEM	CONDITION	VOLTAGE(V) (Approx.)
1	L/R	Sunroof (BIT 4) switch signal	Ignition switch ON and sunroof switch in TILT UP / SLIDE CLOSE position	0
			Other than above	Battery voltage
5	L/B	Sunroof (BIT 3) switch signal	Ignition switch ON and sunroof switch in TILT DOWN / SLIDE OPEN position	0
			Other than above	Battery voltage
7	W	Power window power supply	—	Battery voltage
8	W/G	Vehicle speed signal (2 pulse)	Speedometer operated [When vehicle speed is Approx. 40 km/h (25 MPH)]	 ELF1080D
9	Y/B	RAP signal	Ignition switch ON	Battery voltage
			Within 45 second after ignition switch is turned to OFF position	Battery voltage
			When driver side or passenger side door is open in power window timer is operates	0
10	B	Ground	—	—

Work Flow

1. Check the symptom and customer's requests.
2. Understand the outline of system. Refer to [RF-10, "System Description"](#) .
3. According to the trouble diagnosis chart, repair or replace the cause of the malfunction. Refer to [RF-18, "Trouble Diagnosis Chart by Symptom"](#) .
4. Does sunroof system operate normally? If Yes, GO TO 5. If No, GO TO 3.
5. INSPECTION END.

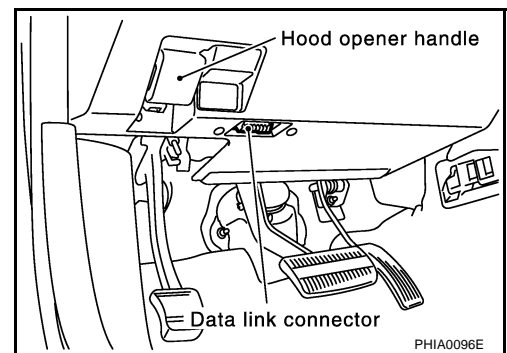
CONSULT-II Function (BCM)

CAUTION:

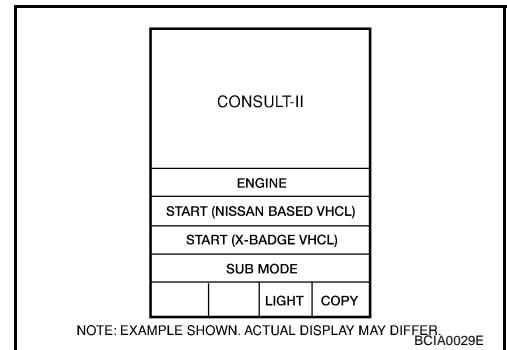
If CONSULT-II is used with no connection of CONSULT-II CONVERTER, malfunctions might be detected in self-diagnosis depending on control unit which carry out CAN communication.

“RETAINED PWR”

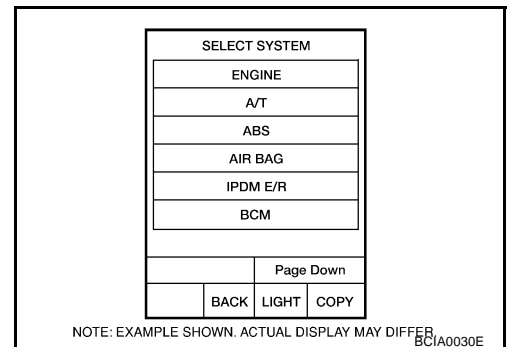
1. Turn ignition switch OFF.
2. Connect “CONSULT-II and CONSULT-II CONVERTER” to the data link connector.



3. Turn ignition switch ON.
4. Touch “START (NISSAN BASED VHCL)”.

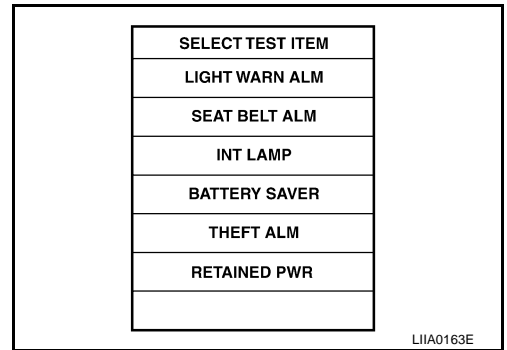


5. Touch “BCM”.
If “BCM” is not indicated, go to [GI-38, "CONSULT-II Data Link Connector \(DLC\) Circuit"](#) .

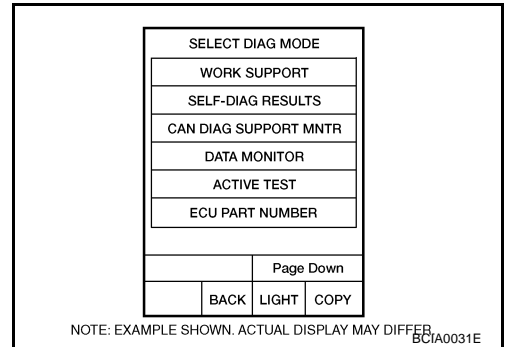


SUNROOF

6. Touch "RETAINED PWR".



7. Select diagnosis mode. "DATA MONITOR", "ACTIVE TEST" and "WORK SUPPORT" are available.



DATA MONITOR

Monitored item	Description
IGN ON SW	Indicates [ON/OFF] condition of ignition switch.
DOOR SW-DR	Indicates [ON/OFF] condition of driver side door switch.
DDOR SW-AS	Indicates [ON/OFF] condition of passenger side door switch.

ACTIVE TEST

Test item	Description
RETAINED PWR	<p>This test is able to supply RAP signal (power) from BCM to power window system, power sunroof system. Those systems can be operated when turning on "RETAINED PWR" on CONSULT-II screen even if the ignition switch is turned OFF.</p> <p>NOTE: During this test, CONSULT-II can be operated with ignition switch in OFF position. "RETAINED PWR" should be turned ON or OFF on CONSULT-II screen when ignition switch is ON. Then turn ignition switch OFF to check retained power operation. CONSULT-II might be stuck if "RETAINED PWR" is turned to ON or OFF on CONSULT-II screen when ignition switch is OFF.</p>

WORK SUPPORT

Work item	Description
RETAINED PWR SET	<p>RAP signal's power supply period can be changed by mode setting. Selects RAP signal's power supply period between two steps.</p> <ul style="list-style-type: none"> ● MODE 1 (45 sec.) / MODE 2 (OFF) / MODE 3 (2 min.)

A
B
C
D
E
F
G
H
J
K
L
M

RF

Trouble Diagnosis Chart by Symptom

AIS001AQ

Symptom	Diagnostic procedure and repair order	Refer to page
Sunroof does not operate.	1. BCM power supply and ground circuit check	RF-18
	2. Sunroof motor assembly power supply and ground circuit check	RF-19
	3. Sunroof switch system check	RF-20
	4. Replace sunroof motor assembly.	RF-30
Retained power operation does not operate properly.	1. Check the retained power operation mode setting	RF-16
	2. Door switch check.	RF-22
	3. BCM check.	BCS-14
	4. Replace sunroof motor assembly.	RF-30
Motor does not stop at the sunroof fully -open or fully-closed position.	1. Initialization procedure check.	RF-11
	2. Replace sunroof motor assembly.	RF-30
Sunroof does not operate the interruption detection function.	1. Replace sunroof motor assembly.	RF-30

BCM Power Supply and Ground Circuit Check

AIS002NY

1. CHECK FUSE

- Check 10 A fuse [No.1, located in fuse block (J/B)]
- Check 10 A fuse [No.18, located in fuse block (J/B)]
- Check 50 A fusible link (letter **F** located in the fuse and fusible link box).

NOTE:

Refer to [RF-10, "Component Parts and Harness Connector Location"](#) .

OK or NG

OK >> GO TO 2

NG >> If fuse is blown out, be sure to eliminate cause of malfunction before installing new fuse. Refer to [RF-10, "Component Parts and Harness Connector Location"](#) .

2. CHECK POWER SUPPLY CIRCUIT

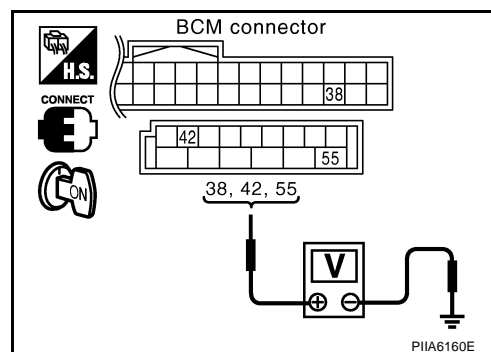
1. Turn ignition switch ON.
2. Check voltage between BCM connector M1, M2 terminal 38, 42, 55 and ground.

	Ignition switch	Voltage
38 (W/L) – Ground	ON	Battery voltage
42 (GY) – Ground	OFF	Battery voltage
55 (W/R) – Ground	OFF	Battery voltage

OK or NG

OK >> GO TO 3.

NG >> Check BCM power supply circuit for open or short.



SUNROOF

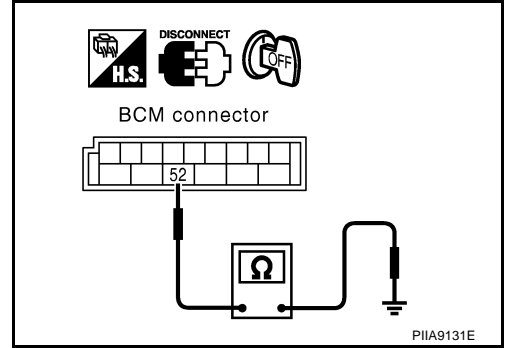
3. CHECK GROUND CIRCUIT

1. Turn ignition switch OFF.
2. Disconnect BCM connector.
3. Check continuity between BCM connector M2 terminal 52 and ground.

52 (B) – Ground : Continuity should exist.

OK or NG

- OK >> Power supply and ground circuit is OK.
 NG >> Check BCM ground circuit for open or short.



Sunroof Motor Assembly Power Supply and Ground Circuit Check

AI500274

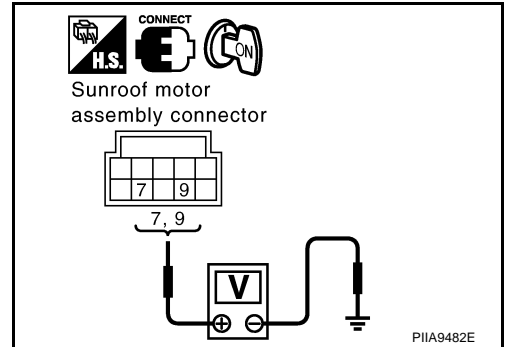
1. CHECK POWER SUPPLY CIRCUIT

1. Turn ignition switch ON.
2. Check voltage between sunroof motor assembly connector R12 terminal 7, 9 and ground.

	Ignition switch	Voltage
7 (W) – Ground	OFF	Battery voltage
9 (Y/B) – Ground	ON	Battery voltage

OK or NG

- OK >> GO TO 2.
 NG >> GO TO 3.



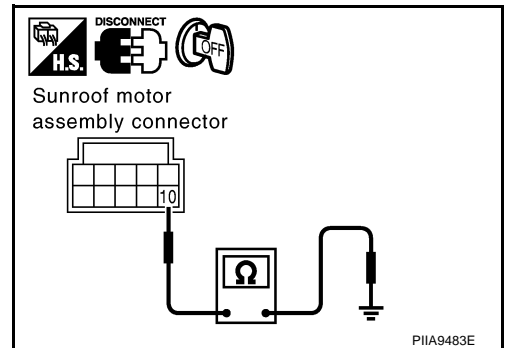
2. CHECK GROUND CIRCUIT

1. Turn ignition switch OFF.
2. Disconnect sunroof motor assembly connector.
3. Check continuity between sunroof motor assembly connector R12 terminal 10 and ground.

10 (B) – Ground : Continuity should exist.

OK or NG

- OK >> Sunroof motor assembly power supply and ground circuit are OK. Further inspection is necessary. Refer to [RF-18, "Trouble Diagnosis Chart by Symptom"](#) .
 NG >> Repair or replace harness.



SUNROOF

3. CHECK SUNROOF MOTOR ASSEMBLY POWER SUPPLY CIRCUIT

1. Turn ignition switch OFF.
2. Disconnect BCM and sunroof motor assembly connector.
3. Check continuity between BCM connector M2 terminal 53, 54 and sunroof motor assembly connector R12 terminal 7, 9.

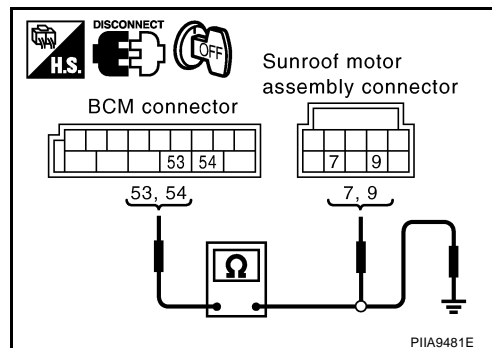
53 (Y/B) – 9 (Y/B) : Continuity should exist.

54 (W) – 7 (W) : Continuity should exist.

4. Check continuity between BCM connector M2 terminal 53, 54 and ground.

53 (Y/B) – Ground : Continuity should not exist.

54 (W) – Ground : Continuity should not exist.



OK or NG

OK >> GO TO 4.

NG >> Repair or replace harness.

4. CHECK BCM OUTPUT SIGNAL

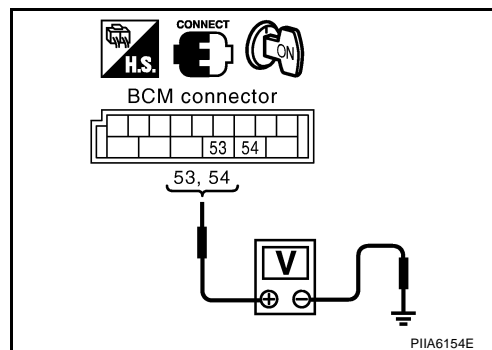
1. Connect BCM connector.
2. Turn ignition switch ON.
3. Check voltage between BCM connector M2 terminal 53, 54 and ground.

	Ignition switch	Voltage
53 (Y/B) – Ground	OFF	Battery voltage
54 (W) – Ground	ON	Battery voltage

OK or NG

OK >> Check condition of the harness and the connector.

NG >> Replace BCM.

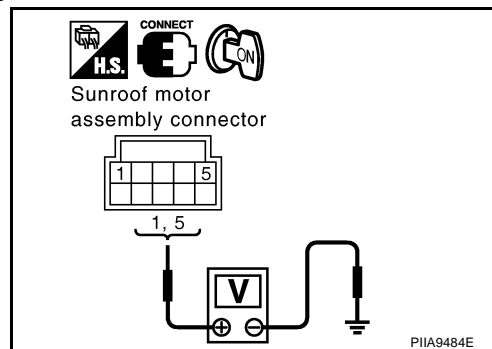


Sunroof Switch System Check

1. CHECK SUNROOF SWITCH INPUT SIGNAL

1. Turn ignition switch ON.
2. Check voltage between sunroof motor assembly connector and ground.

Connector	Terminals (Wire color)		Condition	Voltage (V) (Approx.)
	(+)	(-)		
R12	1 (L/R)	Ground	Sunroof switch is operated TILT UP or SLIDE CLOSE	0
			Other than above	Battery voltage
	5 (L/B)	Ground	Sunroof switch is operated TILT DOWN or SLIDE OPEN	0
			Other than above	Battery voltage



OK or NG

OK >> Replace sunroof motor assembly.

NG >> GO TO 2.

SUNROOF

2. CHECK SUNROOF SWITCH CIRCUIT

1. Turn ignition switch OFF.
2. Disconnect sunroof motor assembly and sunroof switch connector.
3. Check continuity between sunroof motor assembly connector R12 terminal 1, 5 and sunroof switch connector R53 terminal 1, 3.

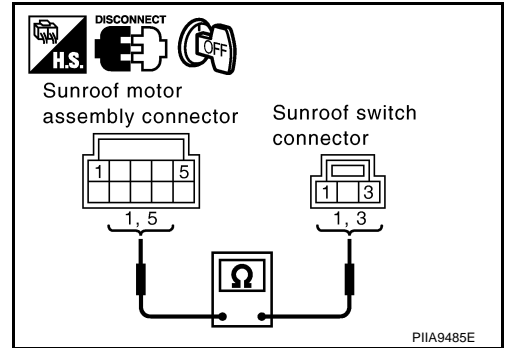
1 (L/R) – 3(L/R) : Continuity should exist.

5 (L/B) – 1 (L/B) : Continuity should exist.

OK or NG

OK >> GO TO 3.

NG >> Repair or replace harness between sunroof motor assembly and sunroof switch.



3. CHECK SUNROOF SWITCH GROUND

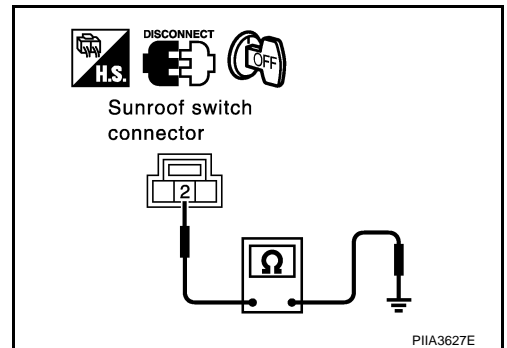
Check continuity between sunroof switch connector R53 terminal 2 and ground.

2 (B) – Ground : Continuity should exist.

OK or NG

OK >> GO TO 4.

NG >> Repair or replace harness.



4. CHECK SUNROOF SWITCH

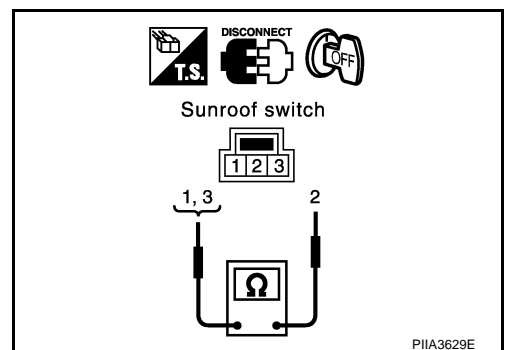
Check continuity between sunroof switch 1, 3 and 2.

Terminal	Condition	Continuity
1	Sunroof switch is operated TILT DOWN or SLIDE OPEN	Yes
	Other than above	No
3	Sunroof switch is operated TILT UP or SLIDE CLOSE	Yes
	Other than above	No

OK or NG

OK >> Replace sunroof motor assembly.

NG >> Replace sunroof switch.



SUNROOF

AIS00275

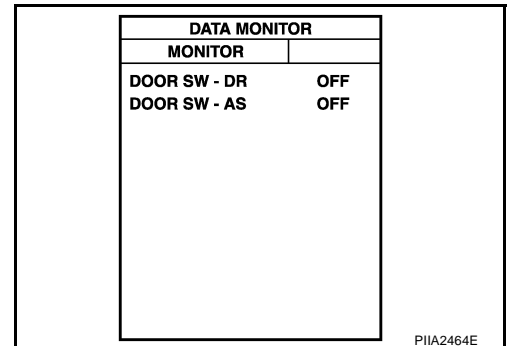
Door Switch Check

1. CHECK DOOR SWITCH INPUT SIGNAL

With CONSULT-II

Check door switches ("DOOR SW-DR" and "DOOR SW-AS") in "DATA MONITOR" mode with CONSULT-II.

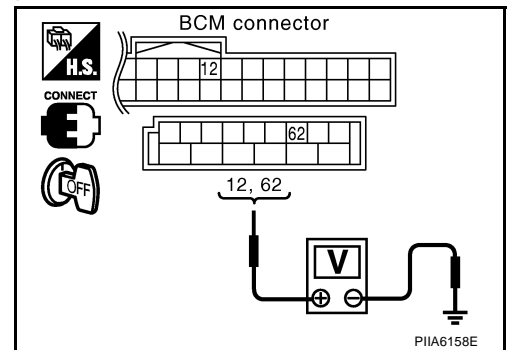
Monitor item	Condition	
DOOR SW-DR	OPEN	: ON
	CLOSE	: OFF
DOOR SW-AS	OPEN	: ON
	CLOSE	: OFF



Without CONSULT-II

Check voltage between BCM connector M1, B4 terminals 10, 62 and ground.

Item	Terminals (Wire color)		Condition	Voltage (V) (Approx.)
	(+)	(-)		
Passenger side door switch	12 (P)	Ground	OPEN	0
			CLOSE	5
Driver side door switch	62 (Y)	Ground	OPEN	0
			CLOSE	5



OK or NG

- OK >> Door switch is OK.
- NG >> GO TO 2.

SUNROOF

2. CHECK DOOR SWITCH CIRCUIT

1. Turn ignition switch OFF.
2. Disconnect door switch and BCM connector.
3. Check continuity between BCM connector M1, B4 terminals 12, 62 and door switch connector B17, B410 terminals 1.

Driver side door

62 (Y) – 1 (G/B) :Continuity should exist.

Passenger side door

12 (P) – 1 (P) :Continuity should exist.

4. Check continuity between BCM connector M1, B4 terminals 12, 62 and ground.

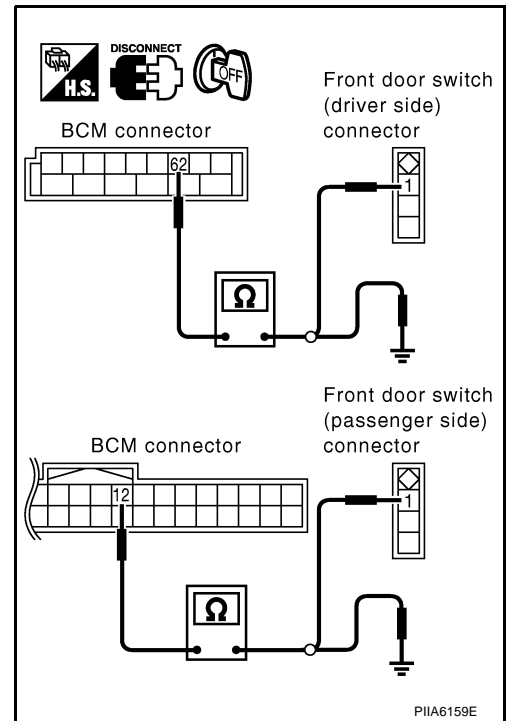
12 (P) – Ground :Continuity should not exist.

62 (Y) – Ground :Continuity should not exist.

OK or NG

OK >> GO TO 3.

NG >> Repair or replace harness.



3. CHECK DOOR SWITCH

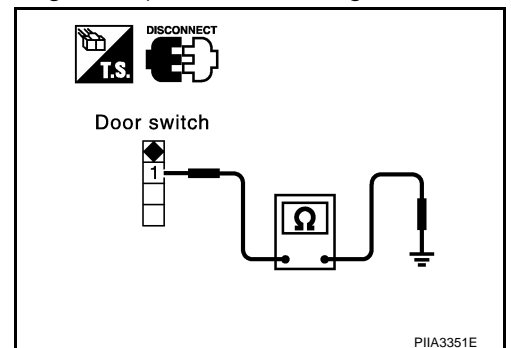
Check continuity between door switch B17 (driver side) or B410 (passenger side) terminal 1 and ground.

Terminal		Door switch	Continuity
1	Ground	Pushed	No
		Released	Yes

OK or NG

OK >> Further inspection is necessary. Refer to [RF-18, "Trouble Diagnosis Chart by Symptom"](#).

NG >> Replace malfunction door switch.

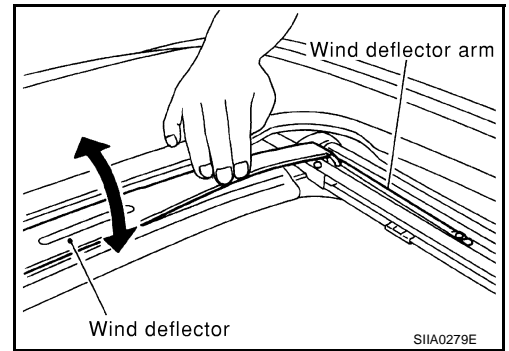


SUNROOF

Wind Deflector Inspection

AIS0026X

1. Check that the wind deflector is properly raised by manual. If a malfunction is detected, remove and visually check it. If it is damaged, replace it with a new one. If no damage is found, reinstall it properly.



Link and Wire Assembly

AIS001AT

NOTE:

Before replacing a suspect part, carefully ensure it is the source of noise being experienced.

1. Check link to determine if coated film has peeled off to such an extent that substrate is visible. Check also to determine if link is the source of noise. If it is, replace it.
2. Visually check to determine if a sufficient amount of grease has been applied to wire or rail groove. If not, add grease as required.
3. Check wire for any damage or deterioration. If any damage is found, replace wire.

Fitting Adjustment

AIS0026Y

	a	b	c
A - A	5.8 (0.228)	-0.8±1.5 (-0.031±0.059)	0.6 - 2.2 (0.024 - 0.087)
B - B	5.8 (0.228)	-0.8±1.5 (-0.031±0.059)	0.6 - 2.2 (0.024 - 0.087)
C - C	5.8 (0.228)	-0.8±1.5 (-0.031±0.059)	0.6 - 2.2 (0.024 - 0.087)

Unit: mm (in)

A - A

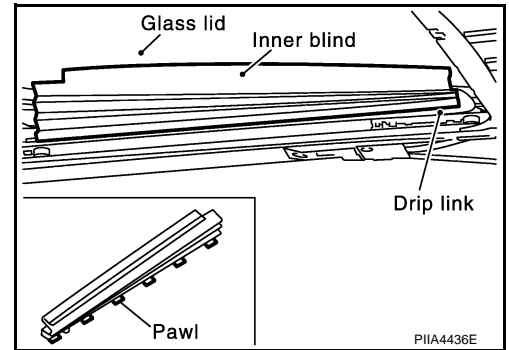
B - B (When sunroof is tilted up)

PIIA4437E

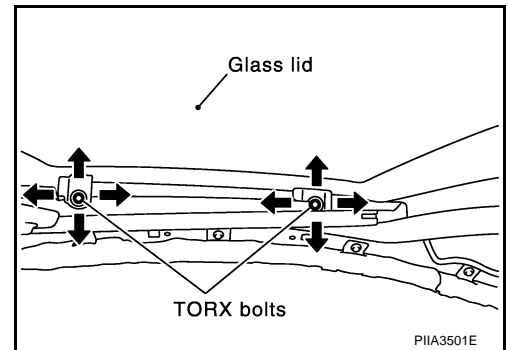
SUNROOF

GAP ADJUSTMENT AND HEIGHT DIFFERENCE ADJUSTMENT

1. Remove the inner blind.



2. Loosen glass lid TORX bolts (T25), then tilt glass lid down.
3. Adjust glass lid from outside of vehicle so it resembles “A – A” “B – B” as shown in the figure above.
4. Tilt glass lid up and down until it is adjusted to “C – C” as shown in the figure above.
5. To prevent glass lid from moving after adjustment, first tighten the TORX bolts (T25) of front left, and then tighten the TORX bolts (T25) of rear right.
6. Tighten remaining TORX bolts (T25), being careful to prevent glass lid from moving.
7. Tilt glass lid up and down several times to check that it moves smoothly.



Removal and Installation

- After any adjustment, check sunroof operation and glass lid alignment.
- Handle finisher plate and glass lid with care so not to cause damage.
- It is desirable for easy installation to mark each point before removal.

CAUTION:

- Always work with a helper.
- Fully close the glass lid assembly, before removal, then do not operate motor assembly after removal.

AIS0026Z

RF

J

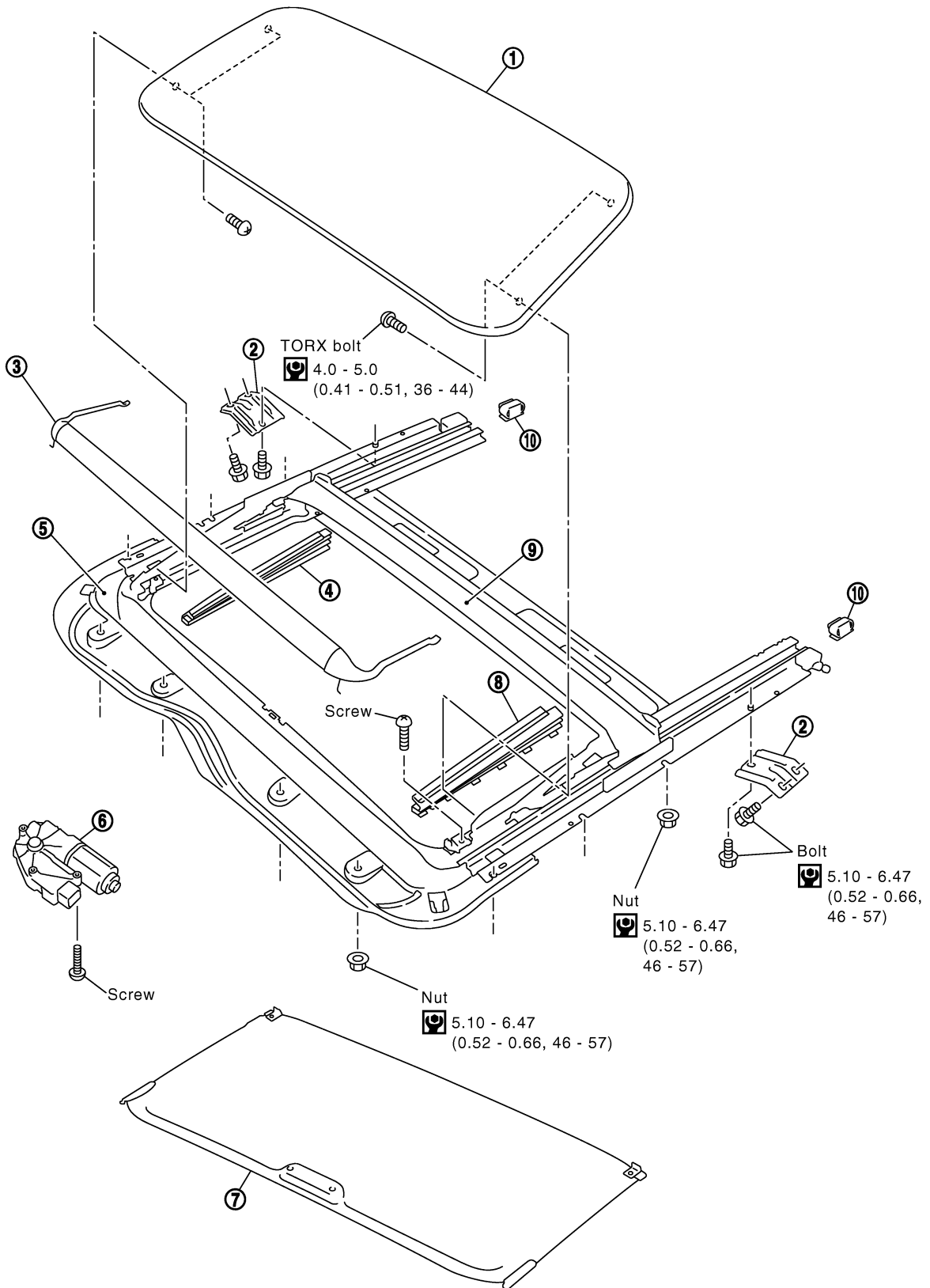
K

L

M

SUNROOF

SEC. 736



: N•m (kg-m, in-lb)

PIIB4818E

SUNROOF

- | | | |
|----------------------|--------------------------|---------------------------|
| 1. Glass lid | 2. Sunroof bracket | 3. Wind deflector |
| 4. Inner blind (RH) | 5. Sunroof unit assembly | 6. Sunroof motor assembly |
| 7. Sunshade | 8. Inner blind (LH) | 9. Drain channel |
| 10. Sunshade stopper | | |

A
B
C
D
E
F
G
H
RF
J
K
L
M

SUNROOF UNIT ASSEMBLY

Removal

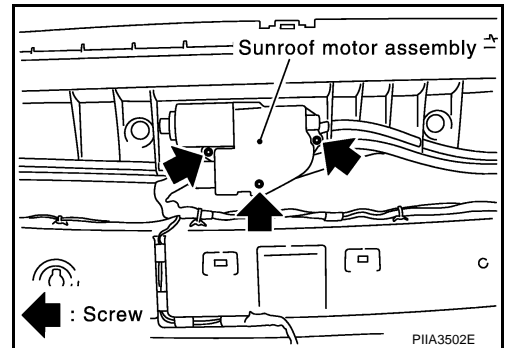
CAUTION:

- Always work with a helper.
- When taking sunroof unit out, use clothes to protect the seats and trim from damage.
- After installing the sunroof unit and glass lid, be sure to carry out the leak test and check that there is no malfunction.

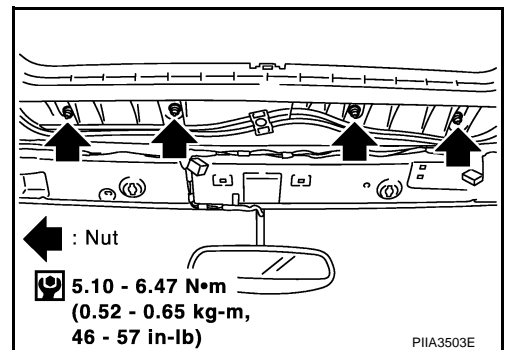
1. Tilt up glass lid.
2. Remove the headlining. Refer to [EI-36, "HEADLINING"](#) .
3. Disconnect drain hoses.
4. Remove glass lid. Refer to [RF-28, "GLASS LID"](#) .
5. Remove sunroof motor mounting screws. Disconnect connector from sunroof motor, then remove sunroof motor assembly.

CAUTION:

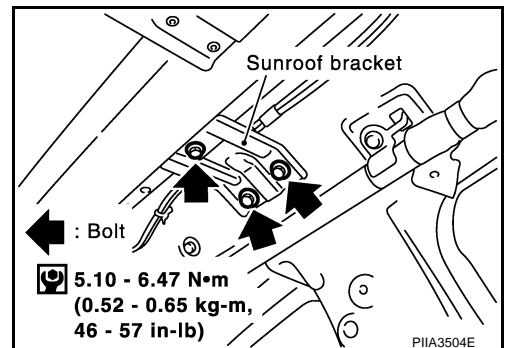
- Before removing sunroof motor assembly, make sure that sunroof is fully closed.
- After removing sunroof motor assembly, do not attempt to rotate sunroof motor as a single unit.



6. Remove nuts from the front end and side rail.



7. Remove sunroof bracket bolts, then remove sunroof unit assembly from roof panel.

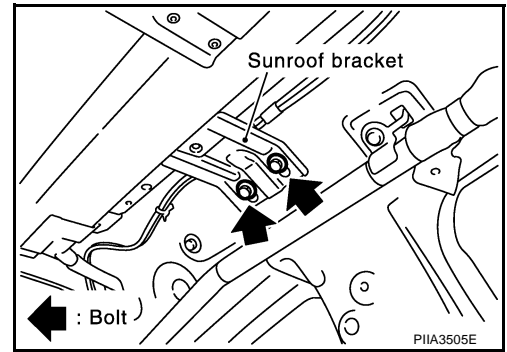


8. Remove sunroof unit assembly through the passenger compartment while being careful not to damage the seats and trim.

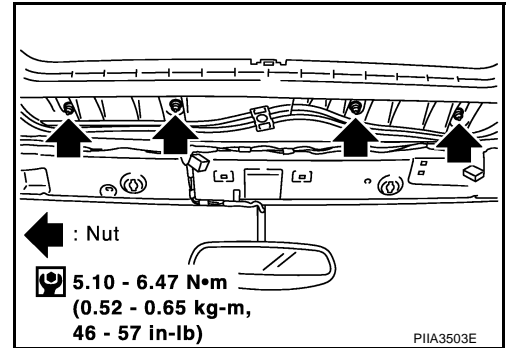
SUNROOF

Installation

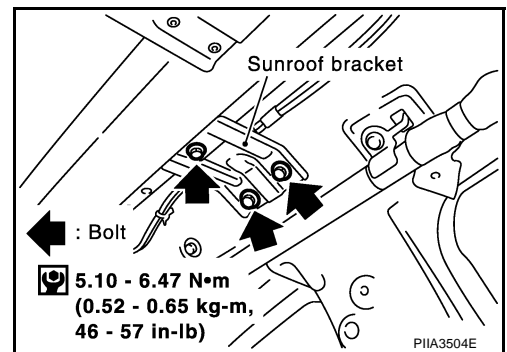
1. Temporarily tighten the mounting bolts to the sunroof brackets (RH/LH).



2. Bring sunroof unit assembly into passenger compartment and place the rear end of the rail onto the sunroof brackets.
3. Temporarily tighten the mounting nuts to the front end of sunroof unit assembly.



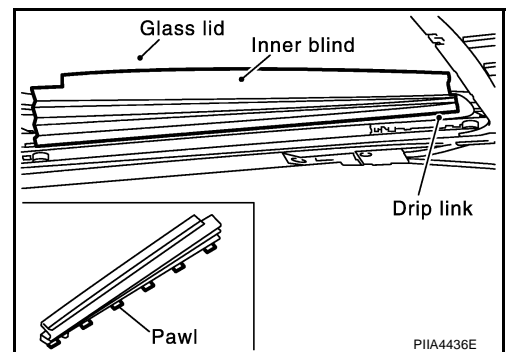
4. Tighten the installation points diagonally excluding the installation point of the sunroof bracket around the roof opening.
5. Tighten the sunroof bracket mounting bolts of the vehicle side and then tighten the bolts of the rail side.
6. Install all parts where they're originally fitted.



GLASS LID

Removal

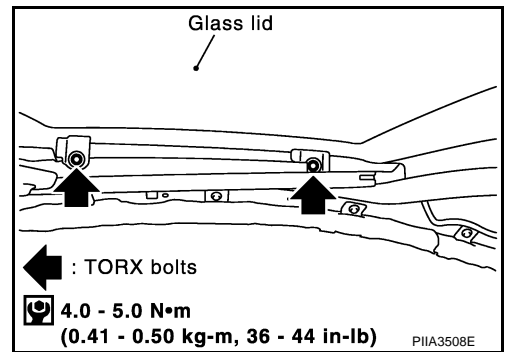
1. Remove the inner blind.



2. Tilt up glass lid.

SUNROOF

3. Remove TORX bolts (T25) and then detach glass lid.



Installation

1. Tighten bolts diagonally on the glass lid.
2. After installation, carry out fitting adjustment.

SUNSHADE

Removal

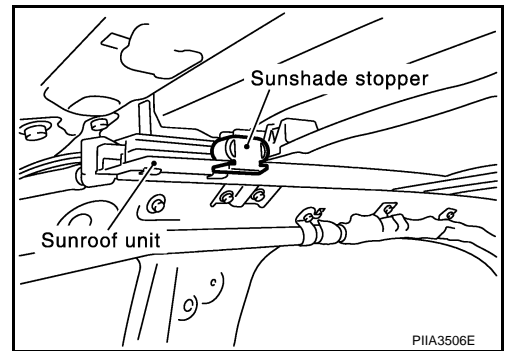
NOTE:

Removing is possible even by the on vehicle.

1. Remove the headlining. Refer to [EI-36, "Removal and Installation"](#).
2. Remove sunshade stopper.
3. Pull sunshade to the rear end of the sunroof frame, then remove it from the sunroof frame.

CAUTION:

Thing working to damage neither sunshade and sunshade knob while lifting up a little.



Installation

Install in the reverse order of removal.

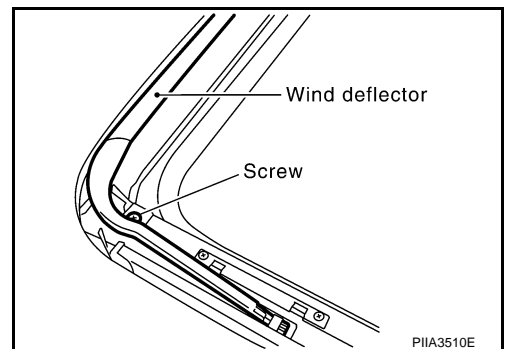
WIND DEFLECTOR

Removal

NOTE:

Removing is possible even by the on vehicle.

1. Sunroof lid is fully open.
2. Remove spring hinge screws and then remove hinge from the frame.
3. Remove the stopper from the sunroof unit assembly.
4. Turn the wind deflector and then remove it from ditch of the sunroof unit assembly.



Installation

Install in the reverse order of removal.

SUNROOF

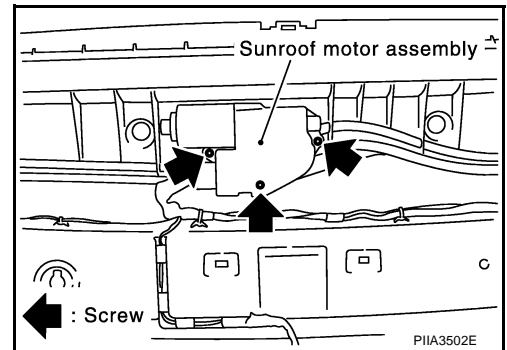
SUNROOF MOTOR ASSEMBLY

Removal

1. Remove headlining. Refer to [EI-36, "Removal and Installation"](#) .
2. Remove sunroof motor mounting screw.
3. Disconnect harness connector from sunroof motor, then remove sunroof motor assembly.

CAUTION:

- When removing the sunroof motor assembly, be sure that the sunroof is in the fully open position.
- Do not run the removed sunroof motor assembly as a single unit.



Installation

Move the sunroof motor assembly laterally little by little so that the gear is completely engaged into the wire on the sunroof unit assembly and the mounting surface becomes parallel. Tighten the sunroof motor assembly with screws.

CAUTION:

- Before installing the sunroof motor assembly, be sure to place the link and wire assembly in the symmetrical and fully closed position.
- Initialization of it after installing the sunroof motor. Refer to [RF-11, "INITIALIZATION PROCEDURE"](#)